

1040B Forged Brass Compact Pressure Reducing Valve (Screwed)

Salient Features

- Screwed Female Ends to IS 554 / BS 21 / ISO 7.
- Most ideal for sensitive and a consistent fluid regulation.
- Diaphragm-less, Piston Type.
- Piston-operated, hence more reliable than conventional diaphragm type PRV.
- Rugged body, compact-sized, easy to install.
- Provided with Premium Quality Nitrile Rubber 'O'Rings.
- Demands low maintenance and virtually noiseless.
- Most of the critical working components have a distinct edge of being hot brass forged.
- Facility provided to install a Pressure Gauge of 1/4" BSP size to gauge the critically relevant Outlet Pressure.
- Designed to suit every application requiring accurate pressure ratings.
- All 'O' rings are of superior food grade material, hence ensuring absolute zero health hazard.



Test Pressure (Hydrostatic) :

Shell : 35 bar

Maximum Upstream Pressure : 25 bar

Maximum Working Temperature : 80°C

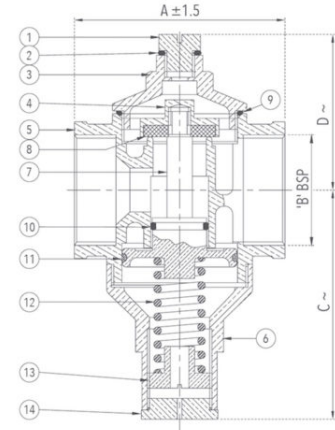
NOTE : At maximum inlet pressure 25 bar, the minimum outlet pressure will be 5.5 bar.

Suitable For

Water

Materials

P.No.	Name of Part	Material of Construction	Specification	Quantity
1	Plug	Forged Brass	IS 6912 Gr. FLB	1
2	O - Ring	Nitrile Rubber	IS 5192 - 1	1
3	Body	Forged Brass	IS 6912 Gr. FLB	1
4	Disc Holder	Forged Brass	IS 6912 Gr. FLB	1
5	Bonnet	Forged Brass	IS 6912 Gr. FLB	1
6	Chamber	Forged Brass	IS 6912 Gr. FLB	1
7	Piston	Forged Brass / Bronze	IS 6912 Gr. FLB / IS 318 Gr. LTB 2	1
8	Disc	Nitrile Rubber	IS 5192 - 1	1
9	O - Ring	Nitrile Rubber	IS 5192 - 1	1
10	O - Ring	Nitrile Rubber	IS 5192 - 1	1
11	O - Ring	Nitrile Rubber	IS 5192 - 1	1
12	Spring	Spring Steel	EN 47 Gr. B	1
13	Adjustable Ring	Forged Brass	IS 6912 Gr. FLB	1
14	CAP	PVC	IS 15225	1



Sizes / Dimensions

Size (Inches)	Size (mm)	A ±1.5	B	C ~	D ~
1/2	15	62	1/2"	68	44
3/4	20	62	3/4"	68	44
1	25	86	1"	93	61
1 1/4	32	91	1 1/4"	99	65
1 1/2	40	91	1 1/2"	99	65
2	50	91	2"	101	71